

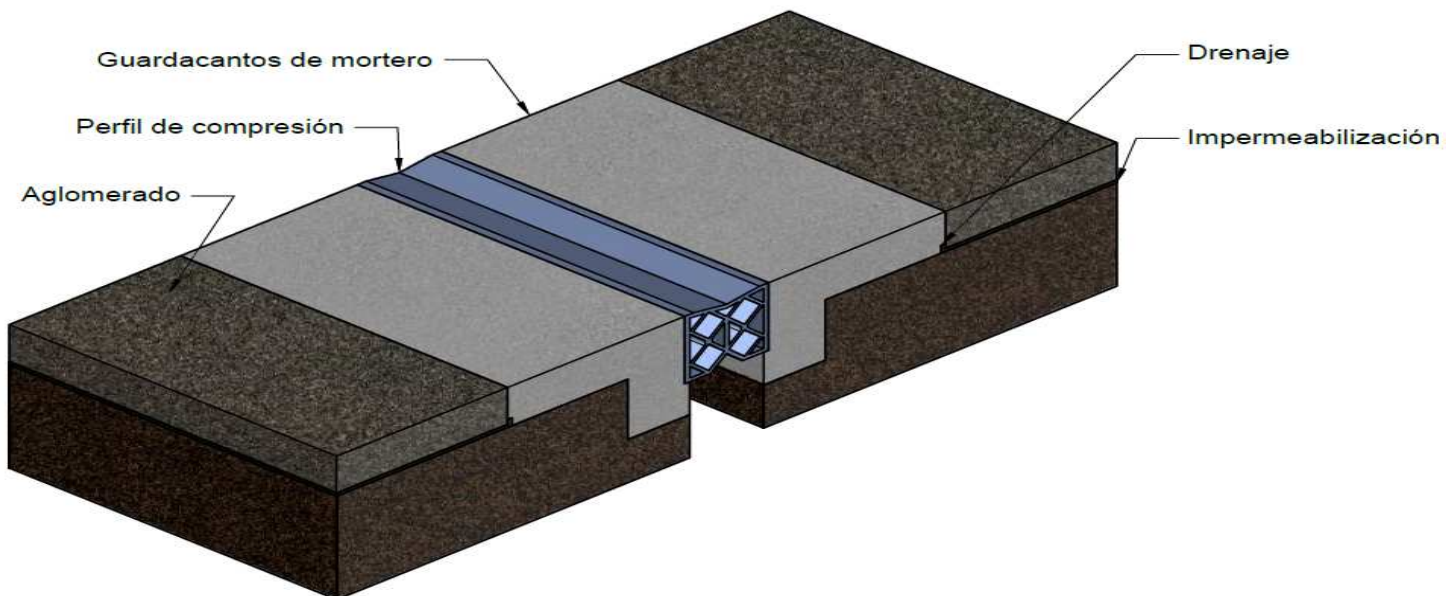
# COMPRESSION PROFILES HFP



## For joints with edge guards

Compression profiles are rubber sealing profiles, that absorb movements and enable a smooth traffic.

- Design  
The section of these profiles is reinforced sandwich panel, that allows to keep an adequate pressure against the walls of the expansion joint without any permanent deformation. These profiles are used in saw cuts or performed, therefore the correct geometry and dimensions of the joint is very important.
- Drainage  
In black pavement, the adding of an effective drainage in the edge guard area is decisive to avoid bulging and the subsequent erosion of the asphalt wearing surface.
- Waterproofing  
Compression profiles provide a waterproof degree that is adequate in most cases. Nevertheless, when waterproofing is a critical requirement, an additional or alternative system must be designed, such as Herflex.



### Main advantages:

- Excellent recovery features.
- Long life, maintenance free.
- Wear and impact resistant.
- Stable temperature
- Resistant to outdoor exposure.

There are three profile types for movement range between 25 and 50mm. Our Technical Department will offer you the best advice on the most adequate solution for your requirements.

Contact us at [comercial@herflex.es](mailto:comercial@herflex.es)

**Technical information:**

Properties	HFP25	HFP42	HFP50
Weight	3,0 kg/m	3,8 kg/m	3,8 kg/m
Hardness at 25°C	65±5 Sh.A	65±5 Sh.A	65±5 Sh.A
Tensile strength	110 kg/cm <sup>2</sup>	110 kg/cm <sup>2</sup>	110 kg/cm <sup>2</sup>
Elongation at break	400% min	400% min	400% min
Movement capability	25 mm	42 mm	50 mm
Profile measurements at rest	70-64 mm	89-89 mm	114-114 mm
Profile measures installed	89/29-54mm	108/34-76mm	152/46-97mm

Notes:

Information on this technical sheet is merely indicative and is based on laboratory experimental results. HERFLEX SYSTEMS does not accept any responsibility if any of the data supplied suffers any variations or if is not correct. In the same way, any recommendation or product use suggestions are provided without any guarantee as the mode of use cannot be controlled by HERFLEX SYSTEMS. Therefore, it is the responsibility of the customer to make sure that the product is appropriate for the required application, as well as its correct usage.

**HERFLEX SISTEMAS, S.A**

Polígono Industrial Torrelarragoiti, Parcela 8A, Pabellones 1-2-3-48170 Zamudio(Vizcaya)

Tel.:+34 944 520 439- [comercial@herflex.es](mailto:comercial@herflex.es)